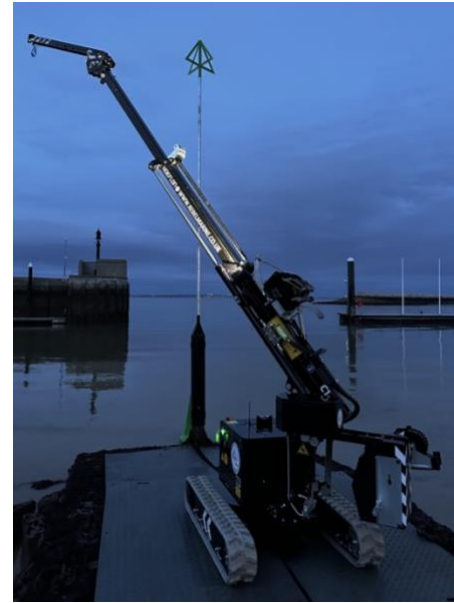
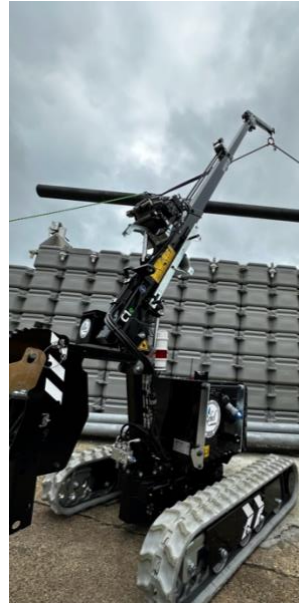


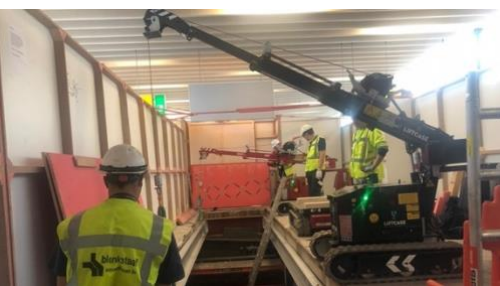


# Tracked Compact Crane 100% electric



With its small dimensions, the C1E is easy to transport. Manoeuvring in tight spaces no other machine can get to. Ideal for indoor operations, crane also fits in a lift with ease. This is handy at construction sites and in industrial environments. The Hoeflon C1E is a fully electric mini- crane. That means CO<sub>2</sub> neutrality when you work with this machine, in more and more places, this is a firm requirement. Little powerhouse. At 1,030 kg, the C1E can definitely be called that getting the most out of a 1-tonne mini-crane. Can be transported with a standard commercial van.

General	
<b>Vessel Name</b>	Rebel Tracked Crane – C1E
<b>Length</b>	1718mm
<b>Width</b>	712mm (1100mm tracks extended)
<b>Capacity</b>	720kg
<b>Manufacturer</b>	Hoeflon



## Features

<b>Details</b>	Compact, strong and robust
	Precisely manoeuvrable
	500kg 25m winch
	Extending tracks and counterweight
	Silent thanks to electric drive
	Pick and carry duties
	Non-marking tracks
	230v and 110v charging
	Radio remote control
	LED lights
	Central lifting eye
	Adjustable head and fly jib
136° Slew, Boom -10° to 75°	
Removable counterweight	
5.6m max hoist height	
<b>Attachments/ Optional Extras</b>	Heavy Duty Loading Ramps
	Operator
	Slinger/Signaller
	Grass / Bog Mats
	Crane trailer & bespoke lifting equipment

07495 234444

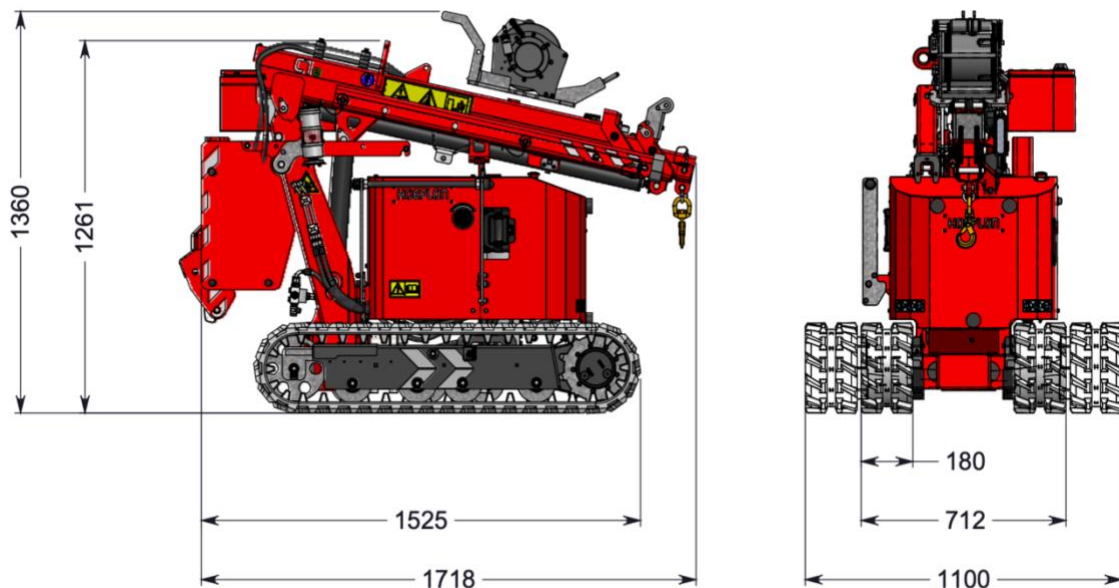
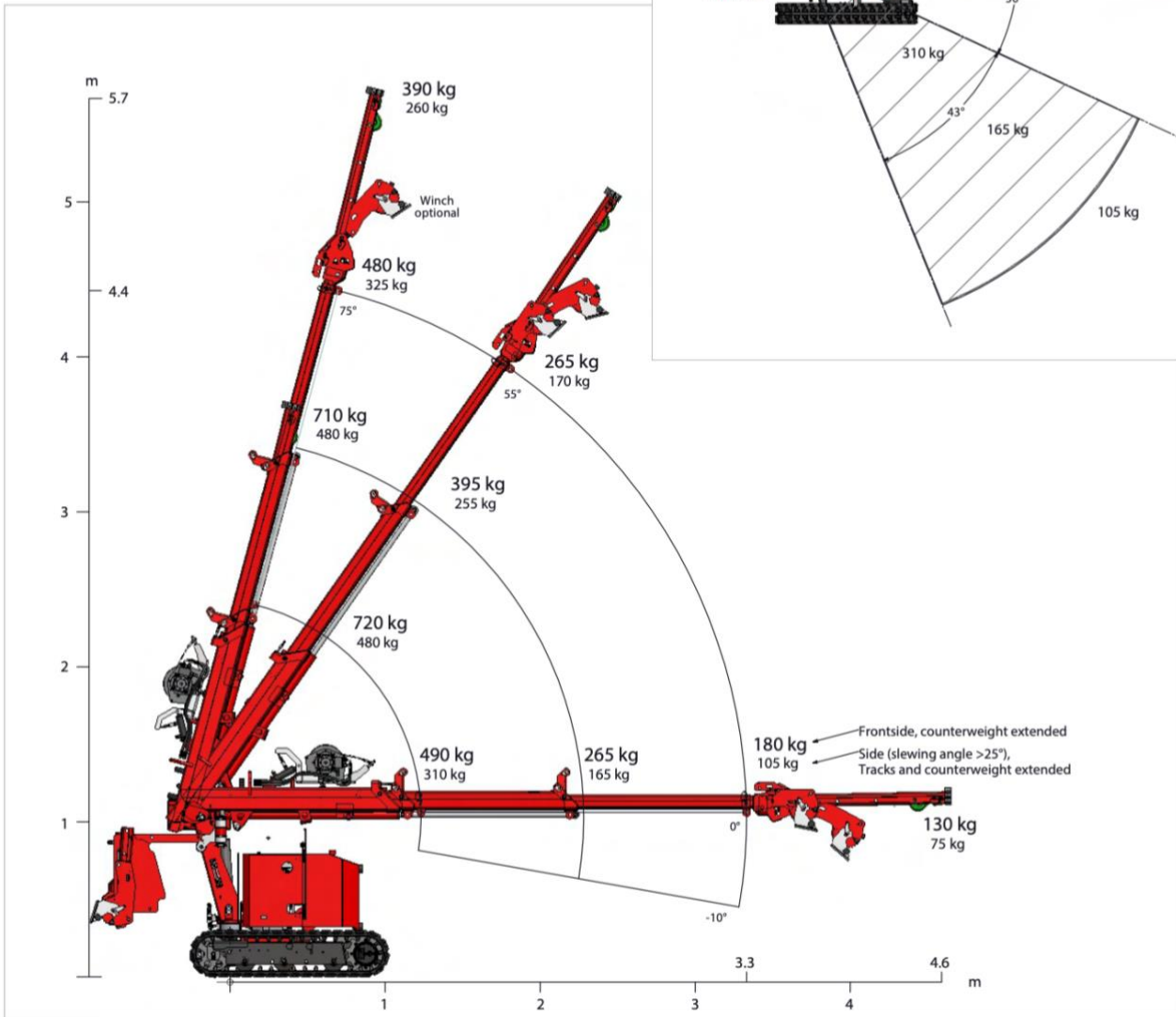
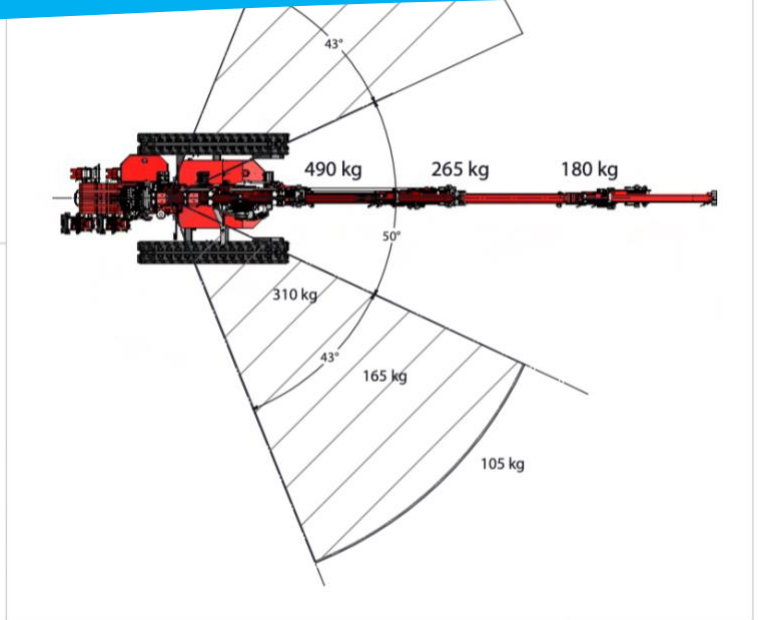
info@rebelmarine.co.uk

www.rebelmarine.co.uk





# Tracked Compact Crane 100% electric



07495 234444

info@rebelmarine.co.uk

www.rebelmarine.co.uk

